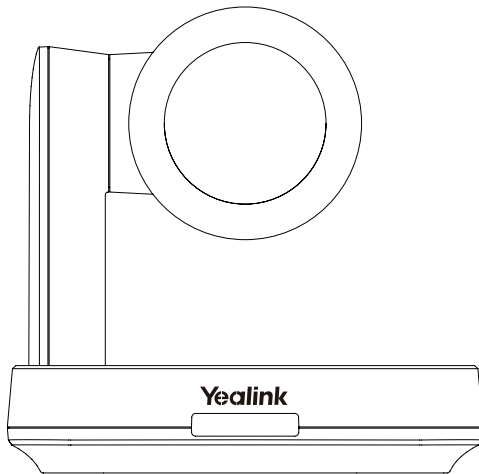


Yealink

Video Conferencing Camera UVC84



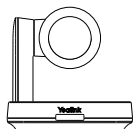
English | 简体中文 | Deutsch | Français | Español

Quick Start Guide(V1.3)

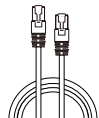
CONTENT

English.....	1
简体中文	6
Deutsch.....	11
Français.....	16
Español.....	21

Package Contents

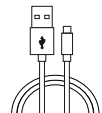


UVC84



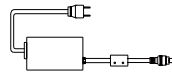
(7.5m, 24.60ft)

CAT5e UTP (RJ45 - RJ45) Cable



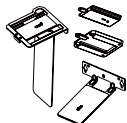
7m, 8.20ft)

USB 2.0 (A - B) Cable



(3.5m, 11.48ft)

Power Adapter (48V/0.7A)



Mounting Bracket



× 4

Φ6 * 30 mm, white, Polyamide



× 4

4*30 FAHOZN3+ (+)



× 5

1/4" -20 UNC



× 2

M3*5.8KM0ZN3+



VCR20 Remote Control



× 5

(20 * 200 mm)

Cable Ties



Quick Start Guide

1. The USB cable is 7m in the UVC84 package, and 2.5m in the MVC room system package.
2. We recommend that you use the accessories provided or approved by Yealink. The use of unapproved third-party accessories may result in poor performance.

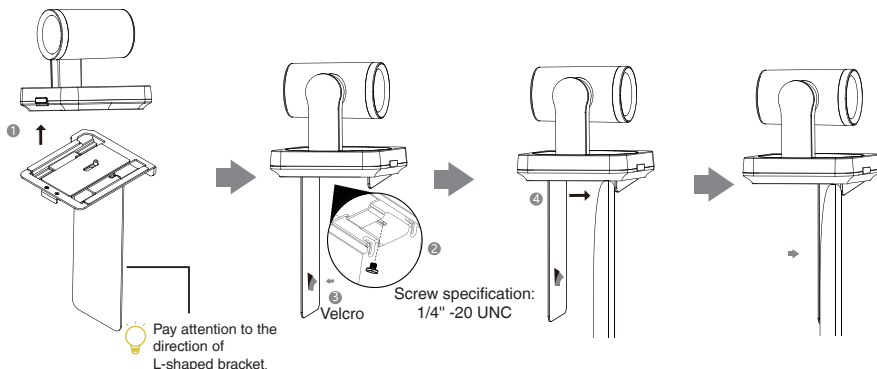
UVC84 Installation

• Put on a Flat Surface

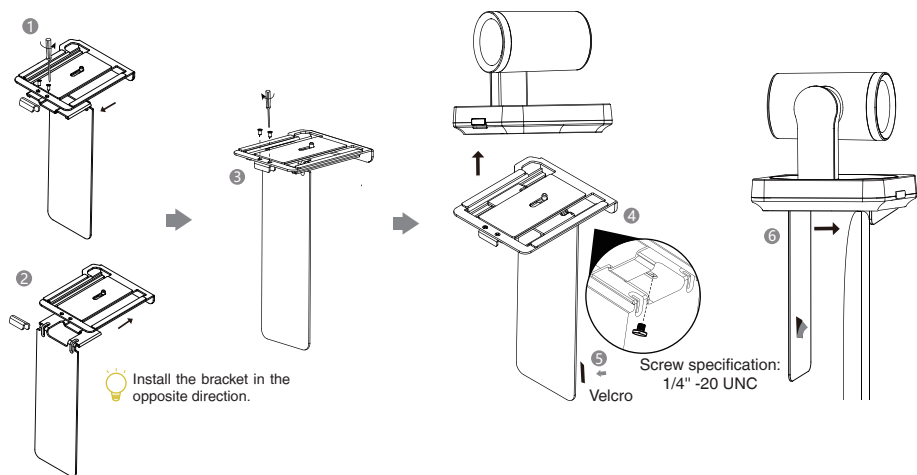
You can put the UVC84 on the conference table, and make sure that the angle of inclination of the UVC84 is not more than 5 degrees to ensure proper operation.

• Mount on top of a display

Choose the following installation method when the thickness of the TV is between 0 mm and 70 mm.

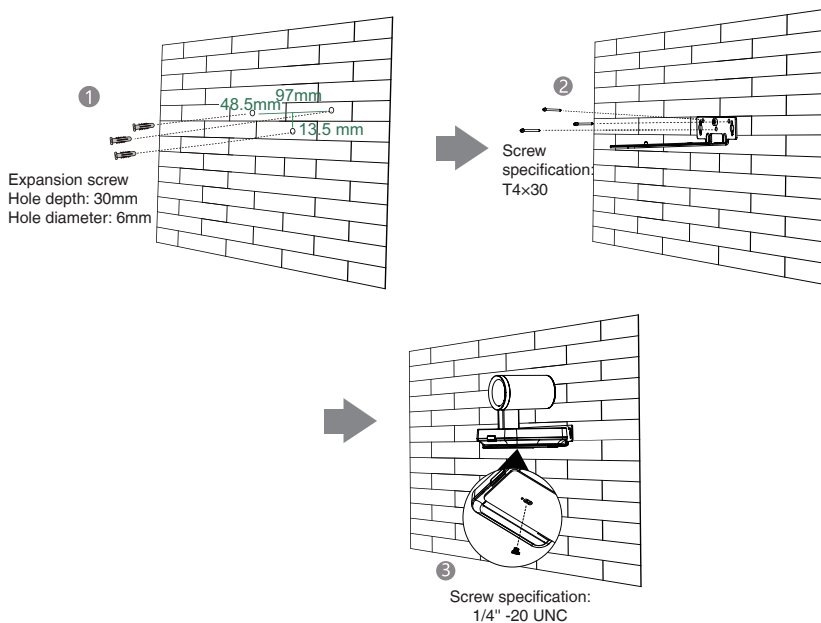


Choose the following installation method when the thickness of the TV is between 46 mm and 146 mm.

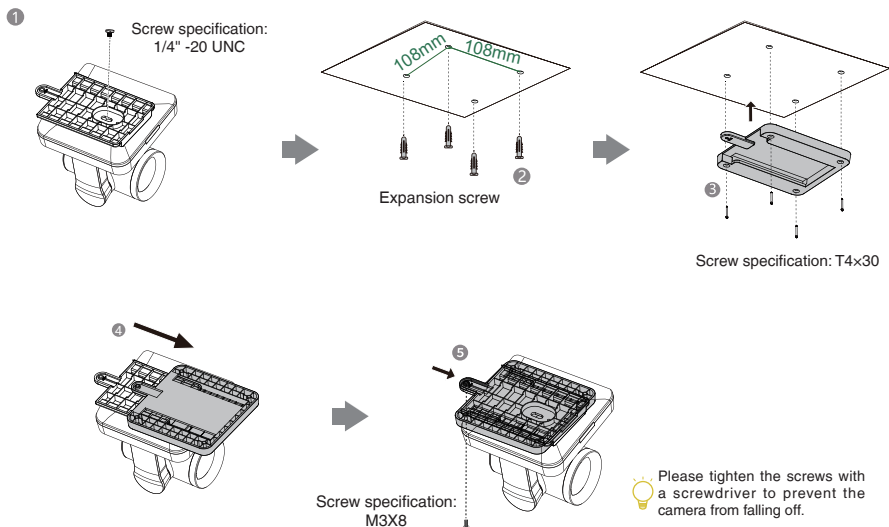


• Mount on the Wall

The recommended height is 1.55 m-1.85 m above the ground.

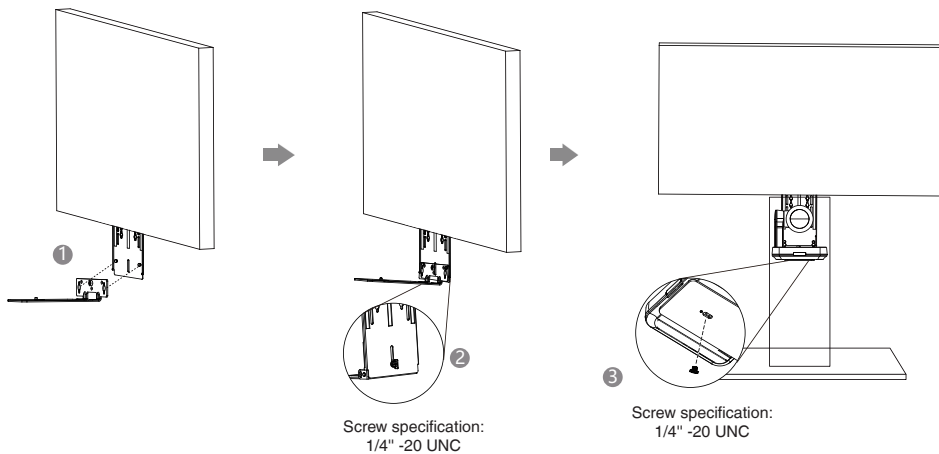


• Mount on the Ceiling

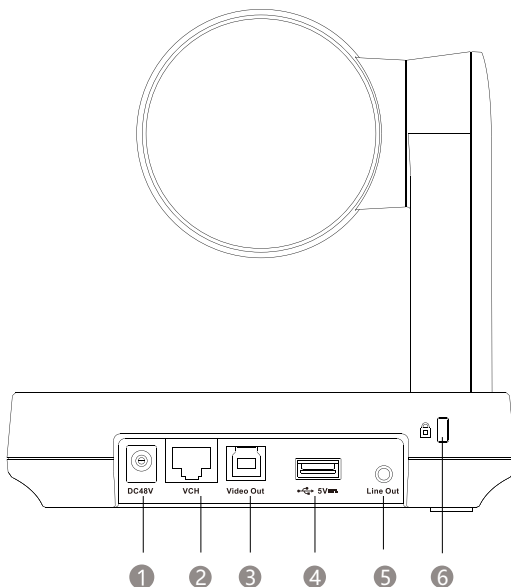


• Mount onto a TV Mount2

You need to purchase a TV Mount2 separately.



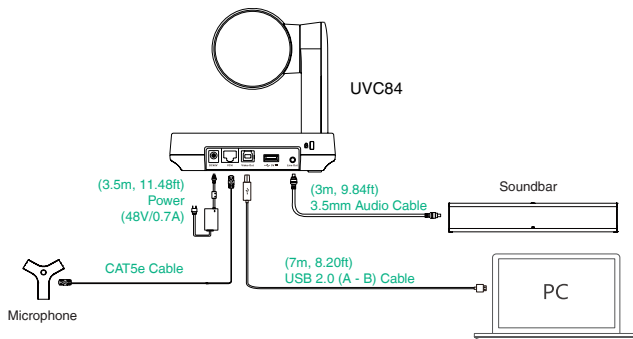
Hardware Interface Instructions



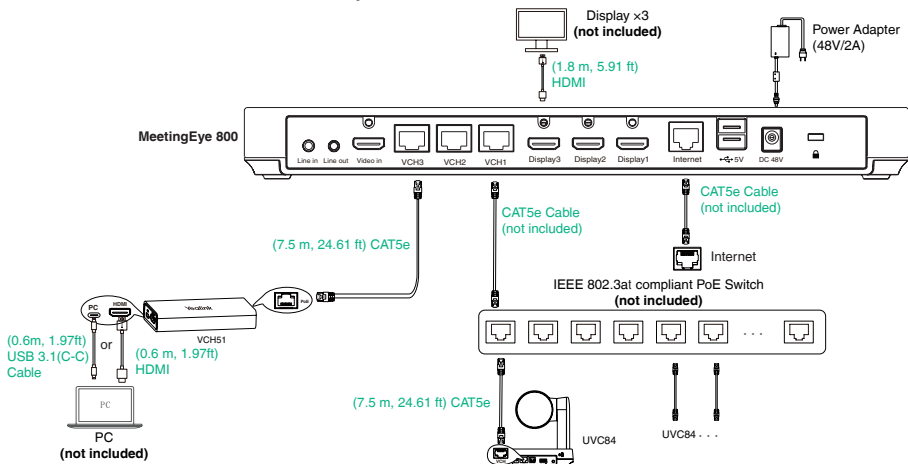
- 1 DC48V: connect to the power adapter.
- 2 In MVC system, connect to audio device (for example: VCM34).
In video conference system, connect to the endpoint (for example: MeetingEye 800).
- 3 Video Out: connect to a PC as video output.
- 4 USB Port: insert DD10 to connect to CPW90.
- 5 Line Out: connect to an audio output device using an audio cable (3.5mm).
- 6 Security slot: connect a universal security cable to the UVC84 so that you can lock the UVC84 down.

UVC84 Connection

- Connect to PC:



- Connect to the video conference system:



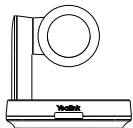
- ⚡ Not included accessories requirements:
- » Display: Resolution of 1080p or higher and with an HDMI port.
 - » Ethernet cable: CAT5e or higher ethernet cable.
 - » PoE switch: If you use PoE to connect cameras, you need to use PoE+.
 - » PC: Equipped with HDMI or USB-C (support DP protocol) Port.

LED Indicator Instructions

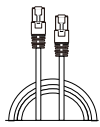
LED indicators on the UVC84:

LED Status	Description
Off	The UVC84 is powered off.
Solid green	The UVC84 is active.
Solid red	The UVC84 is in sleep mode.
Flashing yellow	The UVC84 is upgrading firmware.
Flashing red	The UVC84 is in recovery mode.

包装清单

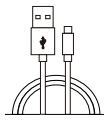


UVC84



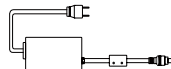
(7.5m, 24.60ft)

CAT5e UTP (RJ45 - RJ45) 线



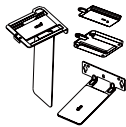
(2.5m, 8.20ft)

USB 2.0 (A - B) 线



(3.5m, 11.48ft)

电源适配器 (48V/0.7A)



挂墙架



× 4

Φ6 * 30 mm, 白色, 聚酰胺



× 4

4*30 FAHOZN3+ (+)



× 5

1/4" -20 UNC



× 2

M3*5.8KM0ZN3+



VCR20 遥控器



× 5

(20 * 200 mm)
束线带



快速入门指南

1. USB 线在 UVC84 单品包材中为 7 米, 在 MVC 会议室系统包材中为 2.5 米。
2. 我们推荐使用由亿联提供或经亿联认可的配件, 使用未经认可的第三方配件可能会导致性能的下降。

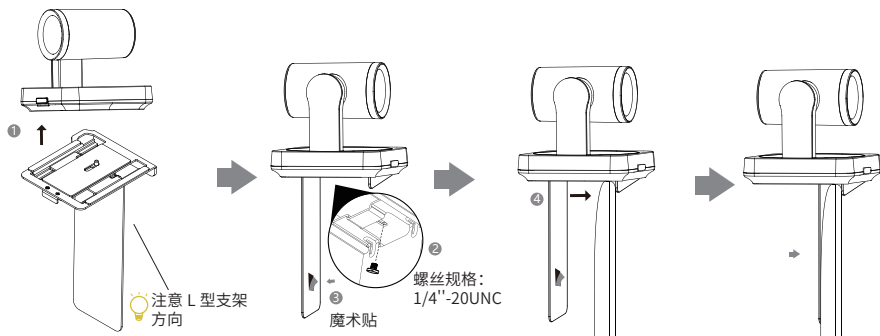
安装 UVC84

• 平放安装

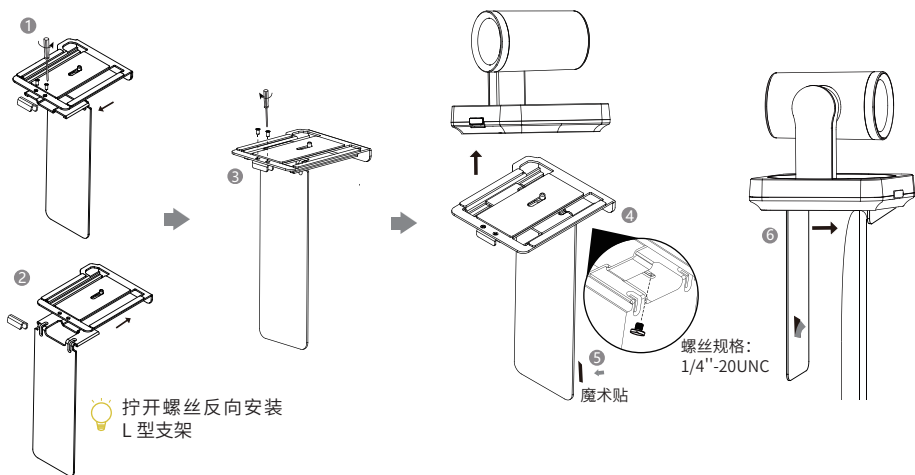
将终端摆放在水平桌面。如果桌面略有倾斜, 请保证倾斜角小于 5°, 以保证终端的摄像机云台正常运转。

• 挂装

当电视厚度范围为 0-70mm 时, 进行以下步骤:

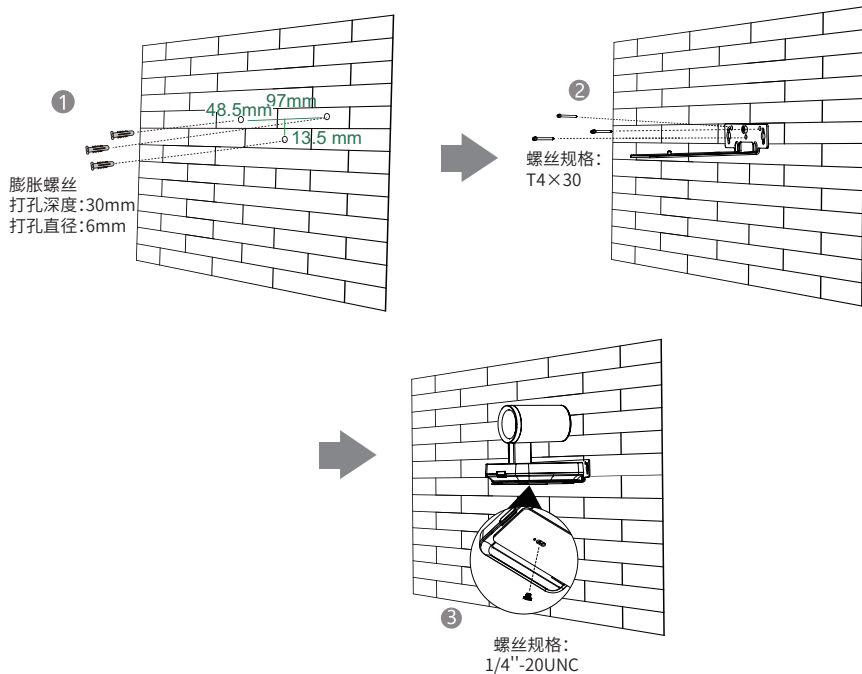


当电视厚度范围为 46-146mm 时, 进行以下步骤:

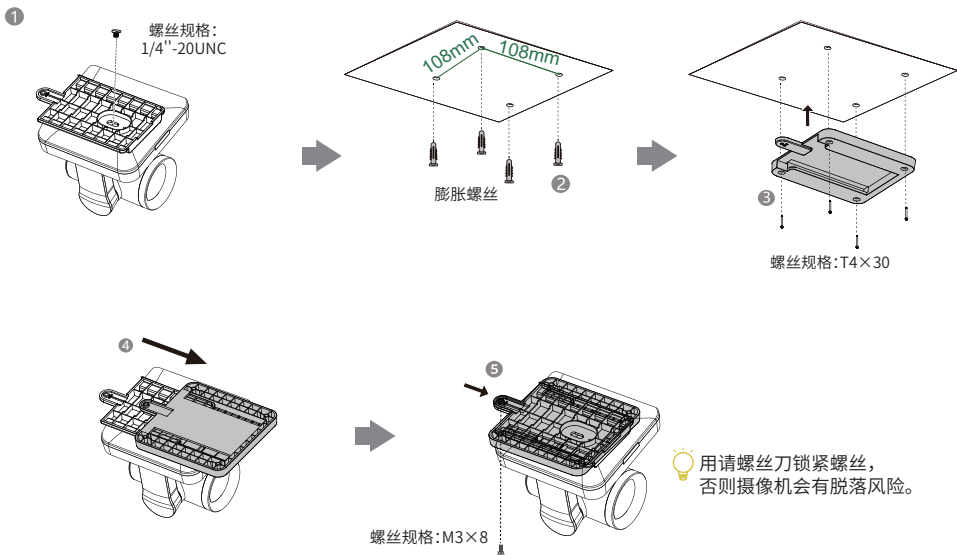


• 墙装

建议安装高度为距地面 1.55 米 -1.85 米。

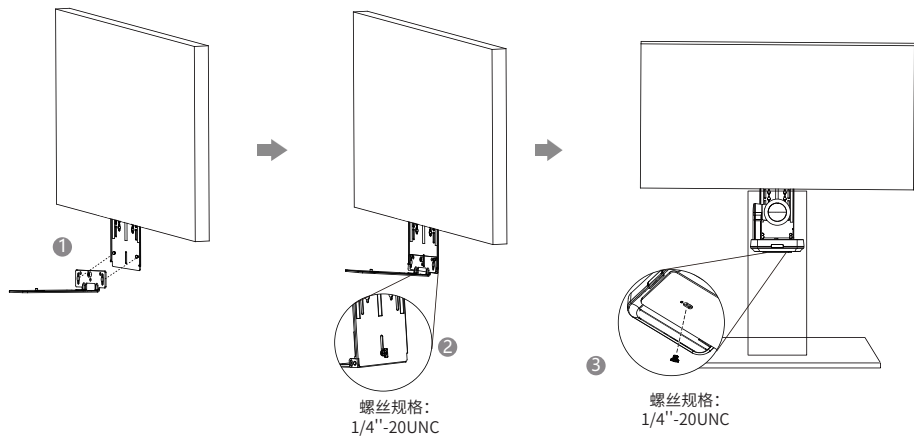


• 吊装

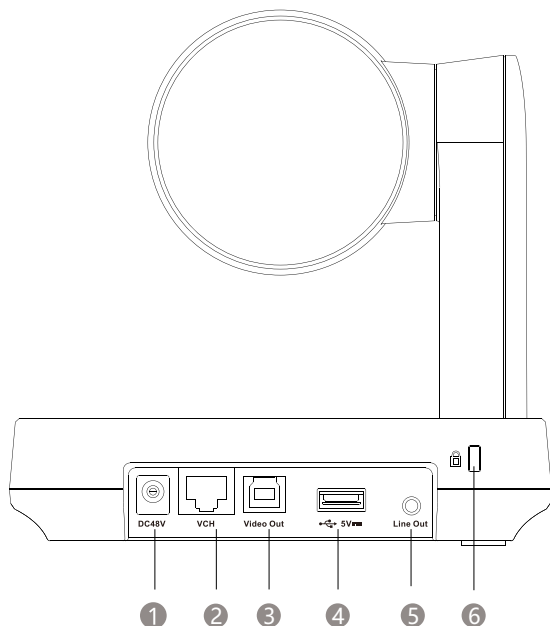


• 电视架安装

用户可以自行选购电视架。



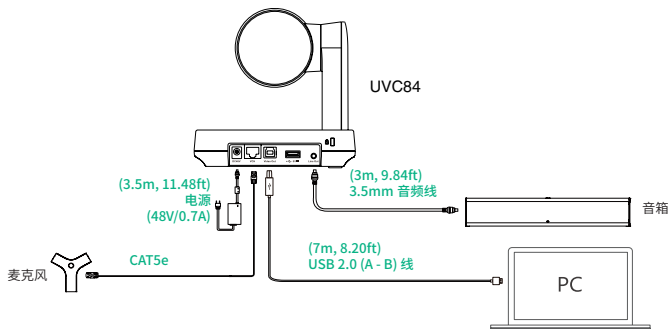
硬件接口介绍



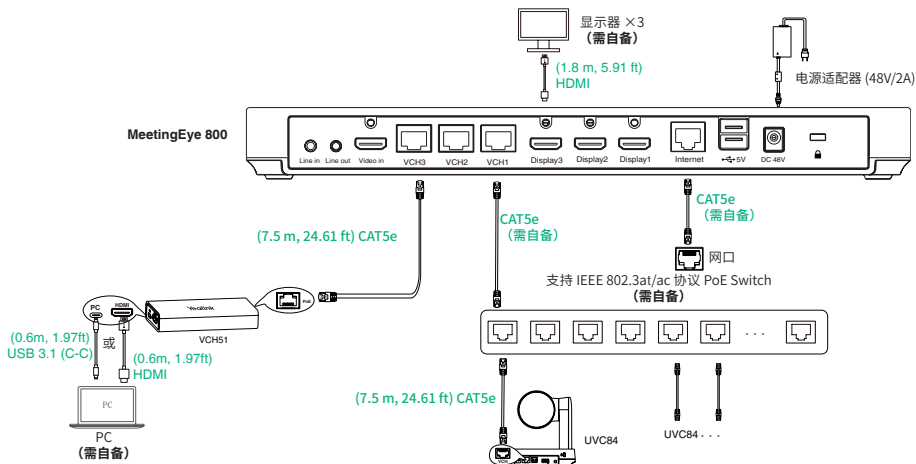
- ① 电源接口：连接电源适配器。
- ② 在 MVC 系统中，连接音频设备（例如：VCM34）。
在视频会议系统中，连接终端（例如：MeetingEye 800）。
- ③ 视频输出：连接电脑作为视频输出。
- ④ USB：预留。
- ⑤ 音频线性输出：使用 3.5mm 音频接头线连接。
- ⑥ 安全锁孔：将主机锁在固定位置。

连接 UVC84

• 连接电脑：



• 连接会议电视终端：



• 需自备配件要求：

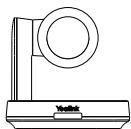
- » 以太网线：CAT5e 及以上规格网线。
- » PoE 交换机：如果使用 PoE 连接摄像头，需使用 PoE+。
- » 显示器：推荐支持 1080p 及以上分辨率且带有 HDMI 接口的显示器。
- » PC：具备 HDMI 或 USB-C（支持 DP 协议）接口。

指示灯介绍

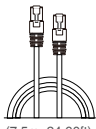
UVC84 指示灯介绍如下：

指示灯状态	说明
关闭	UVC84 没有正确连接到 PC 上或未处于正常工作状态。
绿灯常亮	UVC84 处于正常工作状态。
红灯常亮	UVC84 处于休眠状态。
橙灯闪烁	UVC84 固件更新中。
红灯闪烁	UVC84 处于恢复模式。

Verpackungsinhalt

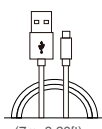


UVC84



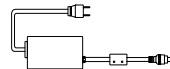
(7,5m, 24,60ft)

CAT5e-Kabel UTP (RJ45 - RJ45)



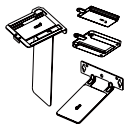
(7m, 8,20ft)

USB-Kabel 2.0 (A - B)



(3,5m, 11,48ft)

Netzteil (48V/0,7A)



halterung



× 4

Φ6 * 30 mm, weiß, Polyamid



× 4

4*30 FAHOZN3+ (+)



× 5

1/4" -20 UNC



× 2

M3*5.8KM0ZN3+



Mando a distancia VCR20



× 5

(20 * 200 mm)

Kabelbinder



Kurzanzleitung

- 💡 1. Das USB-Kabel im UVC84-Paket ist 7m lang, im Paket des MVC Raumsystems ist ein 2.5 m langes USB-Kabel enthalten.
 2. Wir empfehlen die Verwendung von Zubehör, das von Yealink entweder geliefert oder empfohlen wird. Die Verwendung von nicht zugelassenem Zubehör von Drittanbietern kann zu Leistungseinbußen führen.

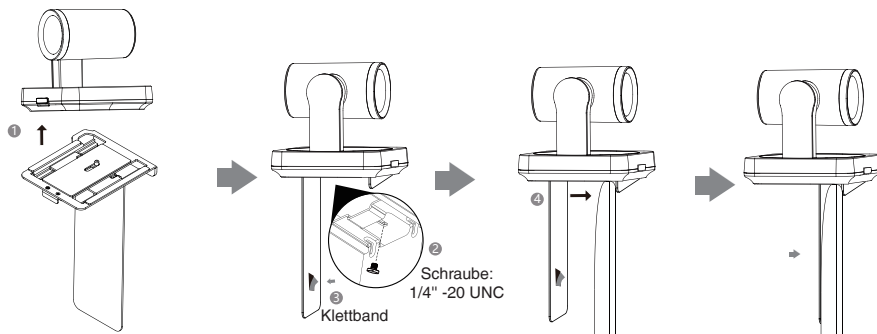
UVC84-Installation

• Aufstellung auf einer flachen Oberfläche

Sie können die UVC84 auf einen Tisch im Konferenzraum stellen. Vergewissern Sie sich, dass die Neigung nicht mehr als 5 Grad beträgt, damit das System korrekt funktioniert.

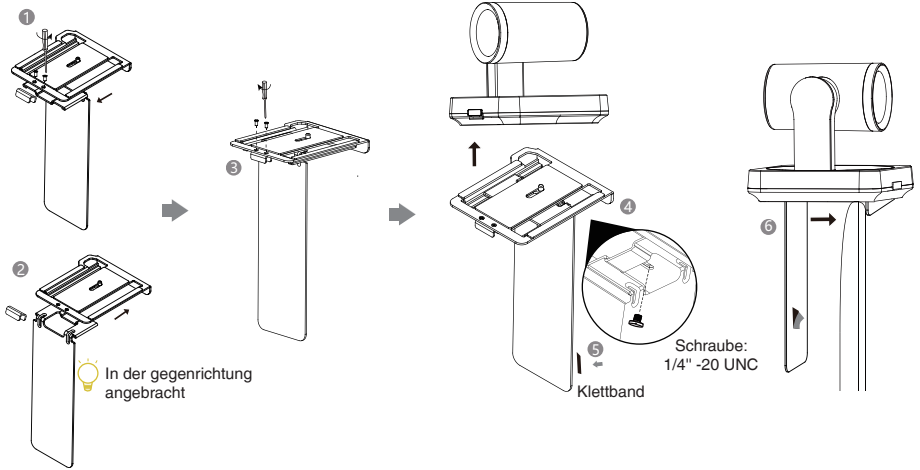
• Montage auf einem Display

Wählen Sie die folgende Installationsmethode, wenn der Fernseher zwischen 0 mm und 70 mm dick ist.



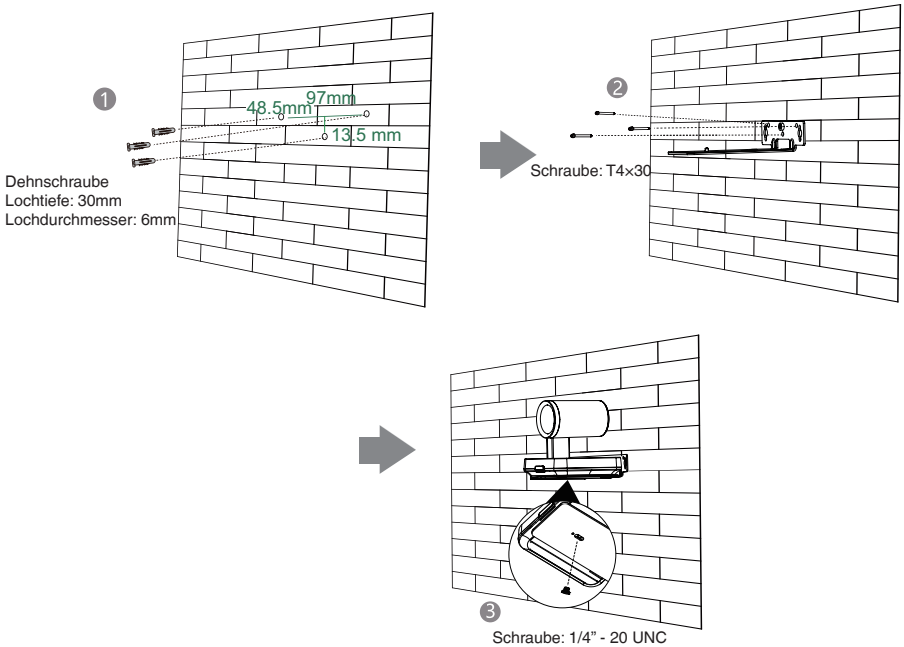
💡 Achten Sie auf die Richtung der Halterung.

Wählen Sie die folgende Installationsmethode, wenn der Fernseher zwischen 46mm und 146mm dick ist.

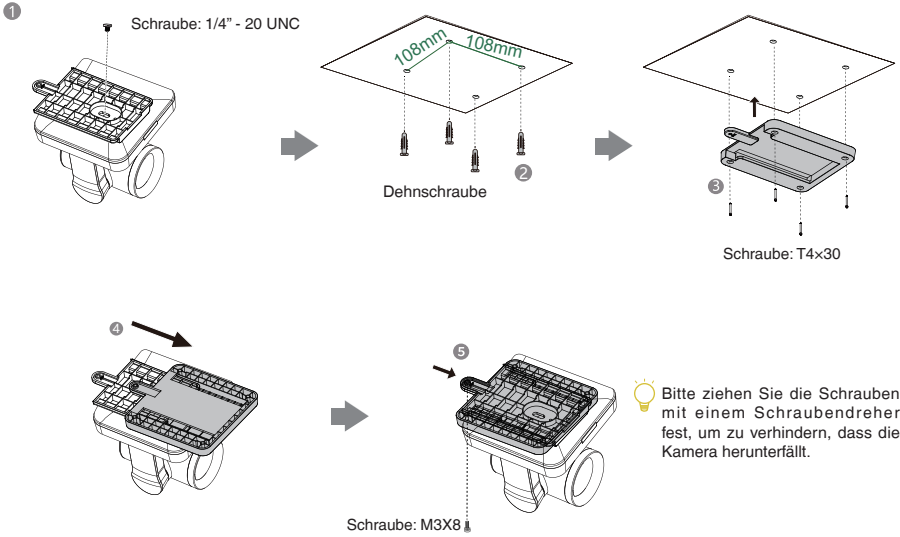


• Montieren an der Wand

Es wird eine Höhe von 1,55 m-1,85 m über dem Boden empfohlen.

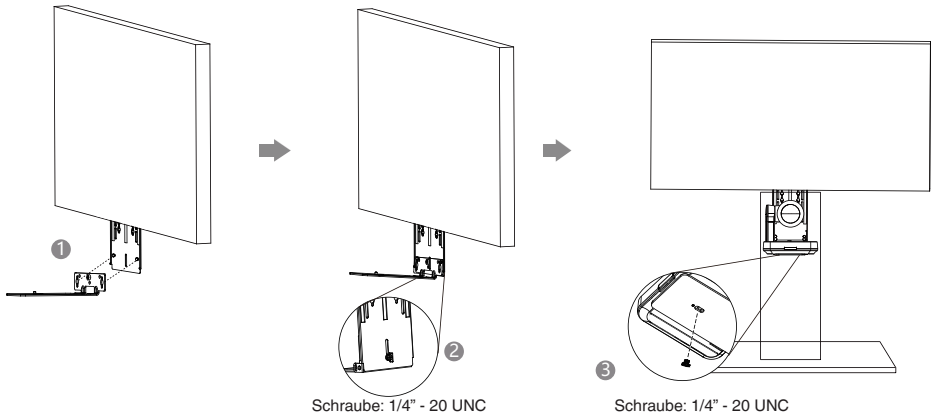


• Montage an Decke

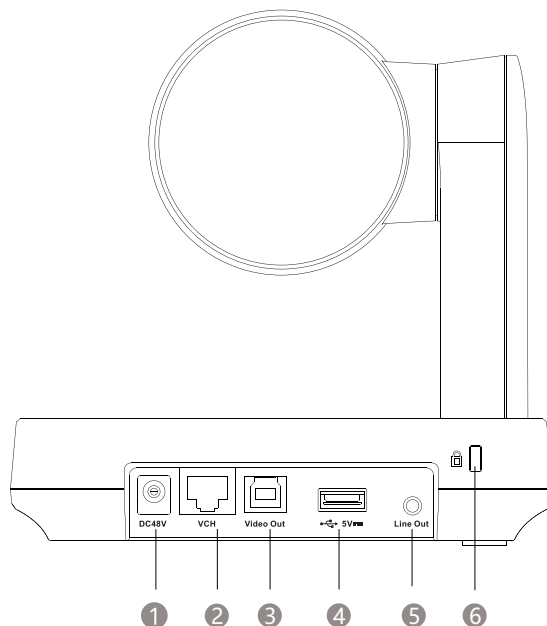


• Montage auf einem TV Mount2

Sie müssen einen TV Mount2 separat erwerben.



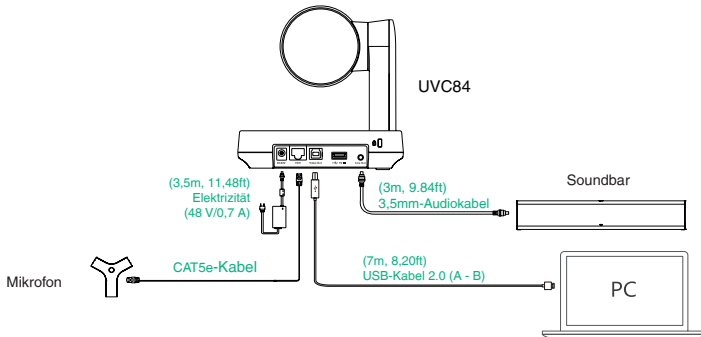
Anleitung für die Hardware-Schnittstelle



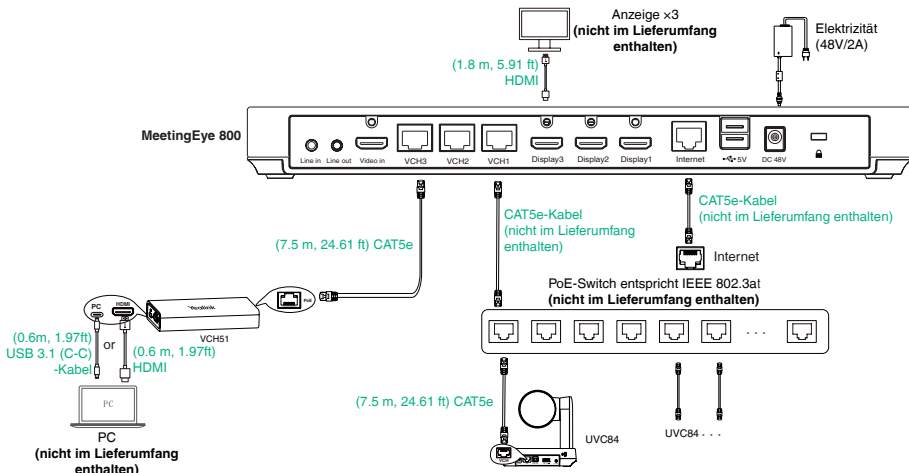
- 1 DC48V Anschluss an das Netzteil.
- 2 Im MVC-System mit dem Audiogerät verbinden (z. B.: VCM34).
Im Videokonferenzsystem mit dem Endpunkt verbinden (z. B.: MeetingEye 800).
- 3 Video Verbindung mit einem PC als Video-Ausgang.
- 4 Puerto USB insérez le DD10 à connecter au CPW90.
- 5 Line-Out: mit einem Audio-Ausgabegerät über ein Audiokabel (3,5 mm) verbinden.
- 6 Sicherheitssteckplatz Schließen Sie ein universelles Sicherheitskabel an den UVC84 an, damit Sie den UVC84 sperren können.

Verbinden des UVC84

- Verbinden mit PC:



- Mit dem Videokonferenzsystem verbinden:



- Nicht im Lieferumfang enthalten sind:

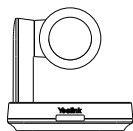
- » Ethernet-Kabel: CAT5e oder höher.
- » PoE-Switch: Wenn Sie PoE verwenden, um Lautsprecher oder Kameras anzuschließen, benötigen Sie PoE+.
- » Anzeige: Auflösung von 1080p oder mehr mit HDMI-Anschluss.
- » PC: Mit HDMI- oder USB-C-Anschluss (Unterstützung des DP-Protokolls).

LED-Anzeige

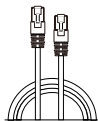
LED-Anzeigen am UVC84:

LED-Status	Beschreibung
Aus	Die UVC84 ist ausgeschaltet.
Dauerhaft grün	Die UVC84 ist aktiv.
Dauerhaft rot	Die UVC84 ist im Sleep-Modus
Blinkt gelb	Der UVC84 aktualisiert die Firmware.
Blinkt rot	Der UVC84 ist im Recovery-Modus.

Contenu du pack

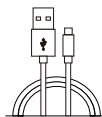


UVC84



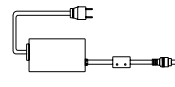
(7,5m, 24,60ft)

Câble Cat5e UTP (RJ45 - RJ45)



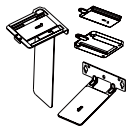
(2,5m, 8,20ft)

Câble USB 2.0 (A - B)



(3,5m, 11,48ft)

Adaptateur secteur (48V/0.7A)



Support de fixation



× 4

φ6 * 30 mm, blanc, polyamide



× 4

4*30 FAHOZN3+ (+)



× 5

1/4" -20 UNC



× 2

M3*5.8KM0ZN3+



Télécommande VCR20



× 5

(20 * 200 mm)

Serre-câbles



Guide de démarrage rapide

- 💡 1. Le câble USB mesure 7 m dans le pack UVC84, et 2.5 m dans le pack de système de salle MVC.
 2. Nous vous recommandons d'utiliser les accessoires fournis et approuvés par Yealink. L'utilisation d'accessoires tiers est susceptible de réduire Mauvais performances de l'appareil.

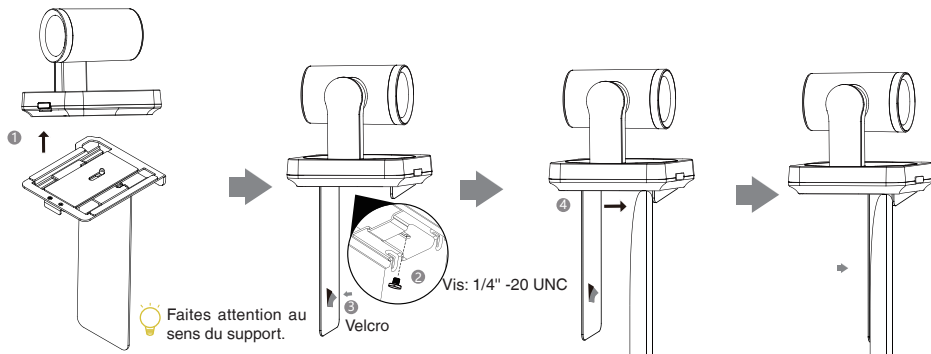
Installation de l'UVC84

• Placement sur une surface plane

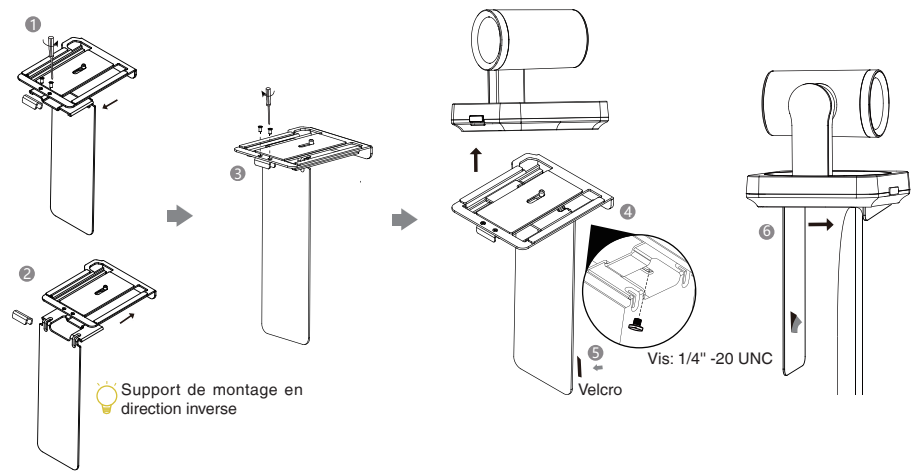
Vous pouvez placer l'UVC84 sur la table de conférence, en vous assurant que son angle d'inclinaison est inférieur à 5 degrés pour qu'il fonctionne correctement.

• Montage sur le dessus d'un écran

Choisissez la méthode d'installation suivante lorsque l'épaisseur du téléviseur se situe entre 0 et 70mm.

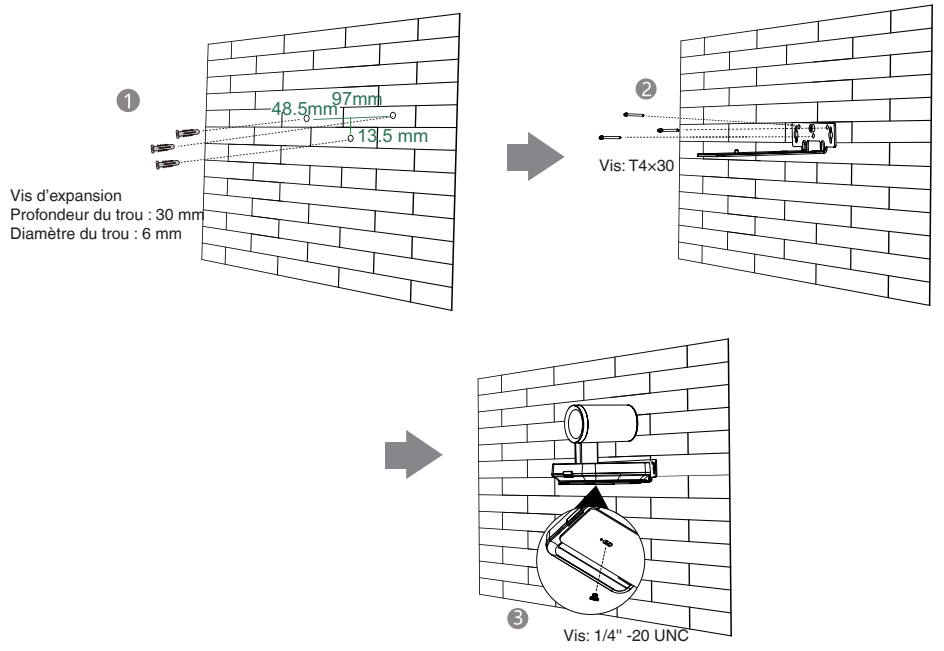


Choisissez la méthode d'installation suivante lorsque l'épaisseur du téléviseur se situe entre 46mm et 146mm.

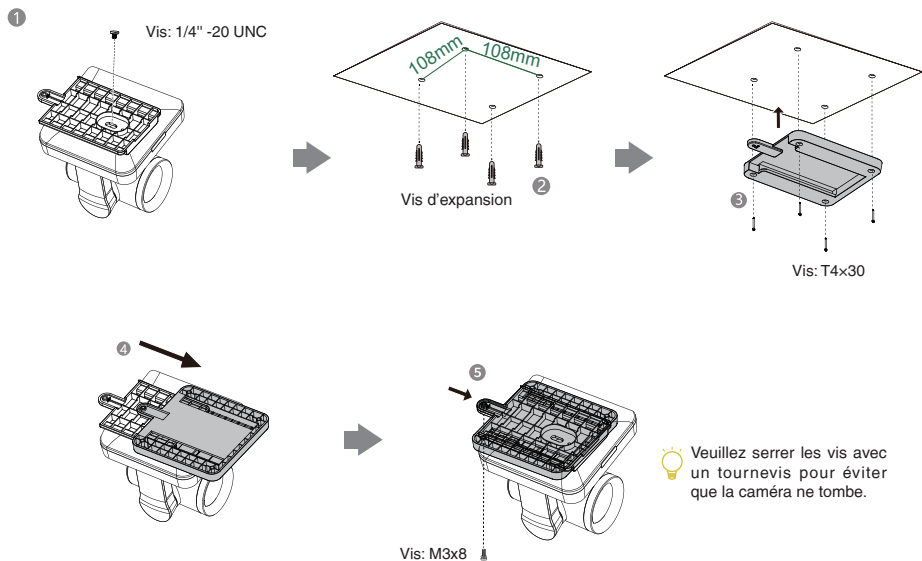


• Montez le sur un mur

La hauteur recommandée est de 1.55 m-1.85 m au-dessus du sol.

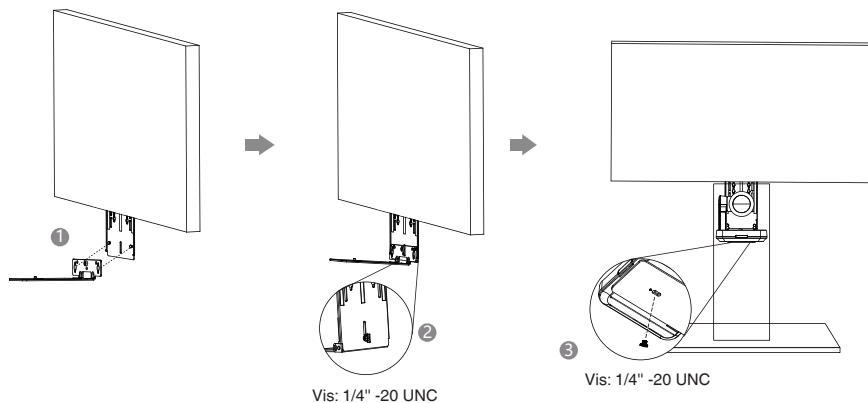


• Monter au plafond

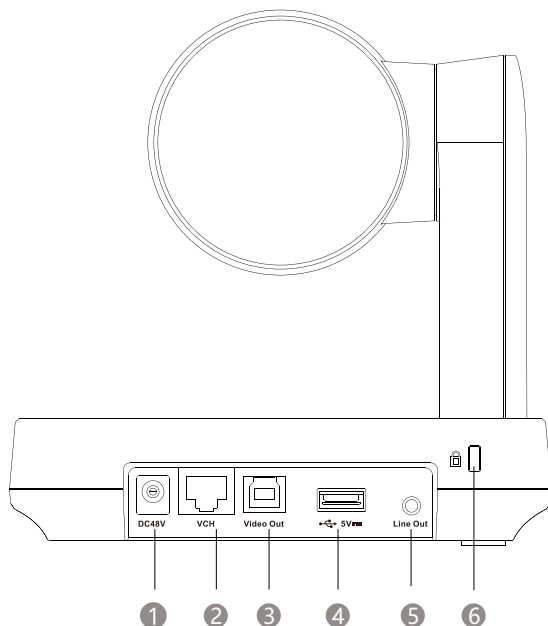


• Montage sur un support télé Mount2

Vous devez acheter un support de téléviseur Mount2 séparément.



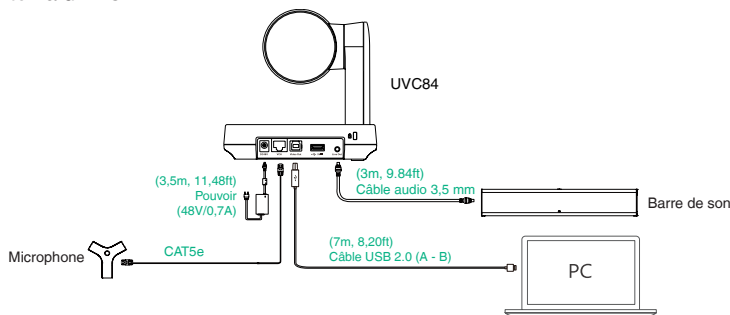
Instructions de l'interface matérielle



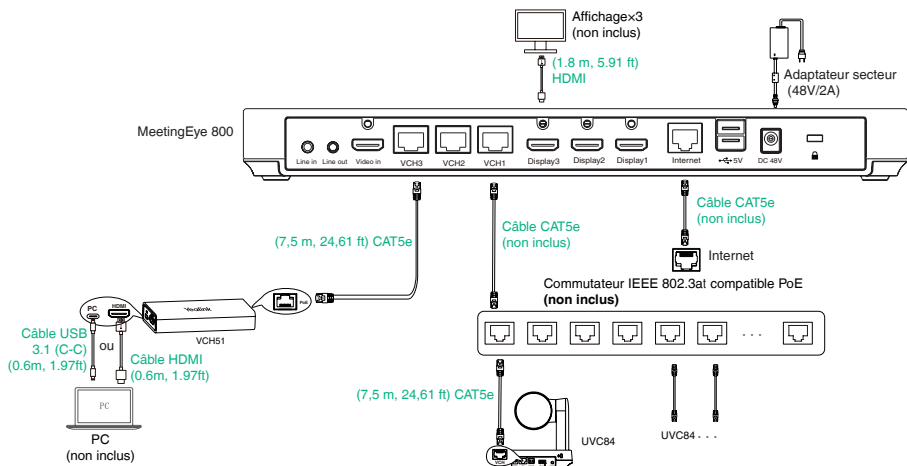
- 1 branchez à l'adaptateur secteur.
- 2 Dans le système MVC, connectez-vous à l'appareil audio (par exemple VCM34). Dans le système de vidéoconférence, connectez-vous au point de terminaison (par exemple : MeetingEye 800).
- 3 vidéo branchez à un PC comme sortie vidéo.
- 4 un port USB insérez le DD10 à connecter au CPW90.
- 5 Sortie ligne : connectez un appareil de sortie audio avec un câble audio (3,5 mm).
- 6 Emplacement de sécurité connectez un câble de sécurité universel à l' UVC84 verrouiller l'UVC84.

Connexion UVC84

- Connexion à un PC :



- Connectez-vous au système de vidéoconférence :



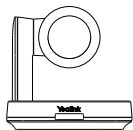
- Accessoires nécessaires non fournis :
 - » Câble Ethernet: Câble Ethernet de type CAT5e ou supérieur.
 - » Commutateur PoE: Si vous utilisez un commutateur PoE pour y connecter des haut-parleurs ou des caméras, vous devez utiliser un PoE+.
 - » Affichage: D'une résolution supérieure ou égale à 1080p et doté d'un port HDMI.
 - » Un ordinateur : Doté d'un port HDMI ou USB-C (qui prend en charge le protocole DP).

Instructions du voyant LED

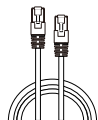
Voyants LED sur l' UVC84 :

Statut des LED	Description
Désactivé	L'UVC84 est éteint.
Vert fixe	L'UVC84 est actif.
Rouge fixe	L'UVC84 est en mode veille
Clignote en jaune	Le micrologiciel de l' UVC84 est en cours de mise à niveau.
Rouge clignotant	L'UVC84 est en mode récupération.

Contenido de la caja

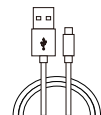


UVC84



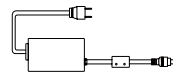
(7,5m, 24,60ft)

Cable Cat5e UTP (RJ45 - RJ45)

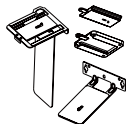


(2,5m, 8,20ft)

Cable USB 2.0 (A - B)



(3,5m, 11,48ft)

Adaptador de corriente
(48V/0,7A)

Soporte de montaje



× 4

Φ6 × 30 mm, blanco, poliamida



× 4

4*30 FAHOZN3+ (+)



× 5

1/4" -20 UNC



× 2

M3*5.8KM0ZN3+



Mando a distancia VCR20



× 5

(20 * 200 mm)

Sujetacables



Guía de inicio rápido

- 💡 1. El cable USB mide 7 m en el paquete UVC84 y 2.5 m en el paquete de sistemas de salas MVC.
2. Utilice siempre accesorios proporcionados o aprobados por Yealink. El uso de accesorios de terceros no aprobados puede afectar al funcionamiento.

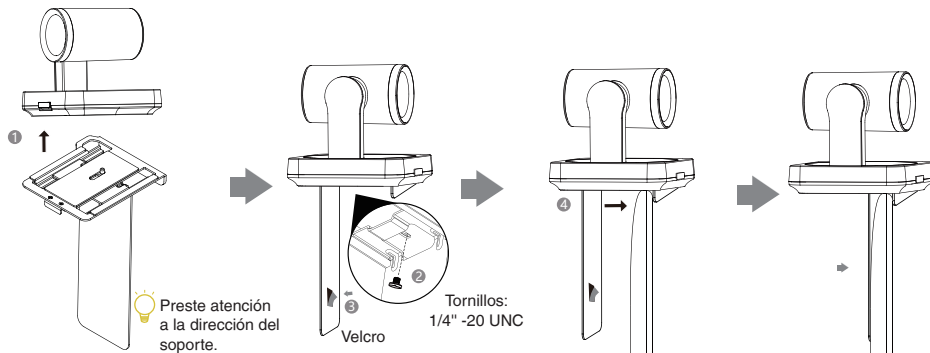
Instalación de UVC84

• Poner en superficie plana

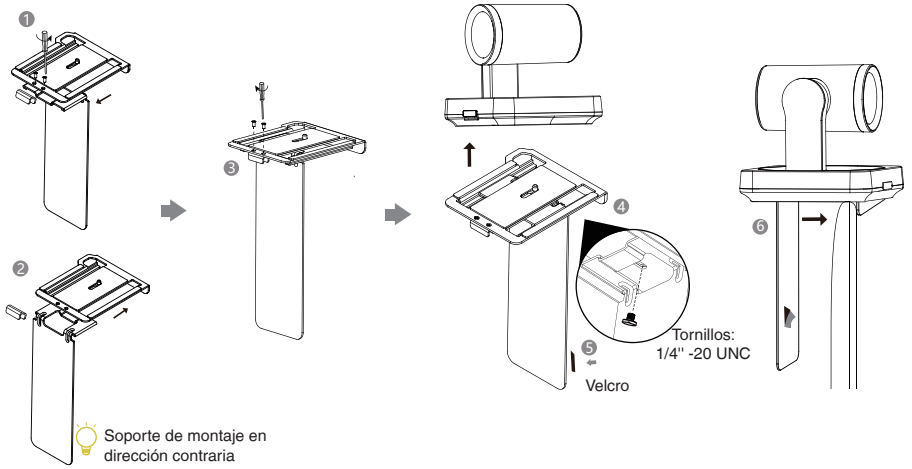
Puede colocar la cámara UVC84 en la mesa de conferencias y asegurarse de que el ángulo de inclinación no sea superior a 5 grados para garantizar un funcionamiento adecuado.

• Monter sur le téléviseur

Elija el siguiente método de instalación cuando el grosor de la pantalla está entre 0mm y 70 mm .

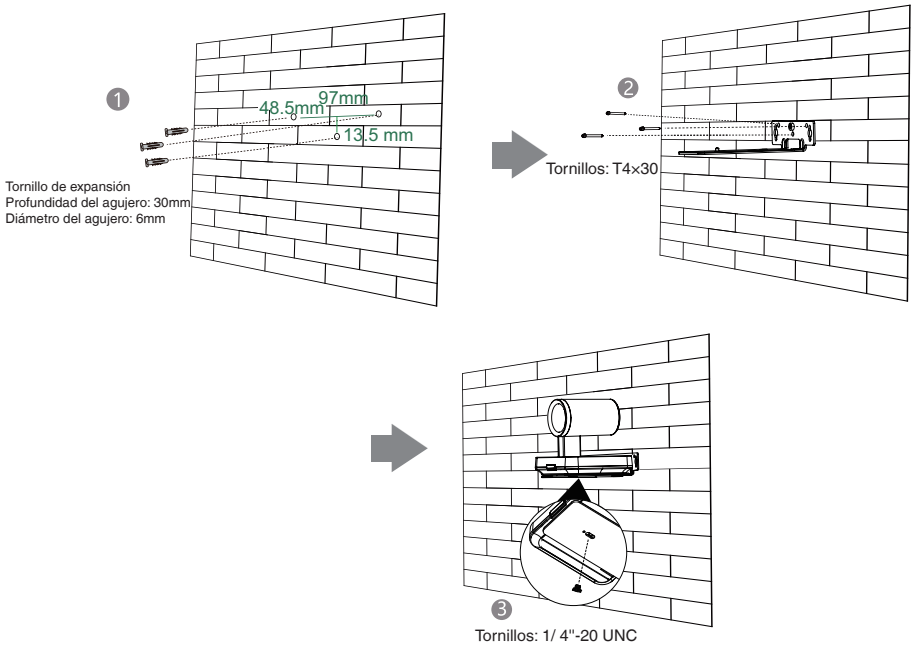


Elija el siguiente método de instalación cuando el grosor de la pantalla está entre 46mm y 146mm .

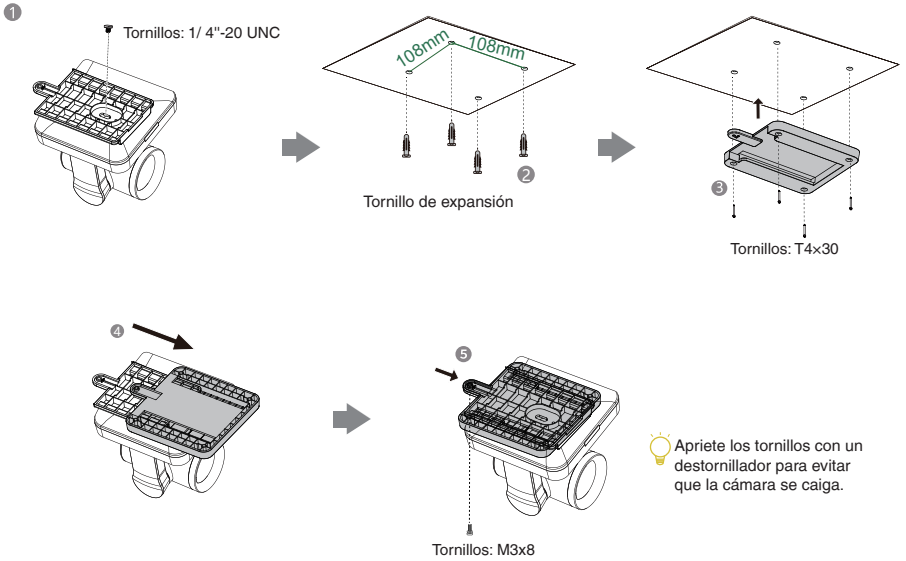


• Montaje en pared

La altura recomendada es de 1.55 m-1.85 m sobre el suelo.

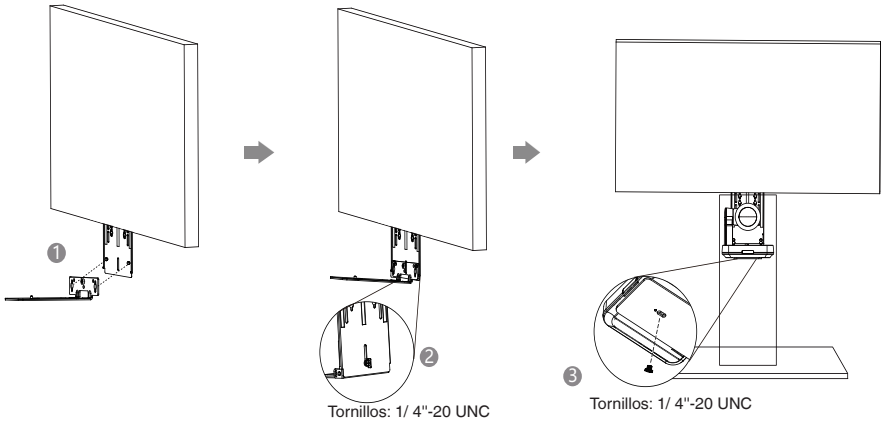


• Montar en el techo

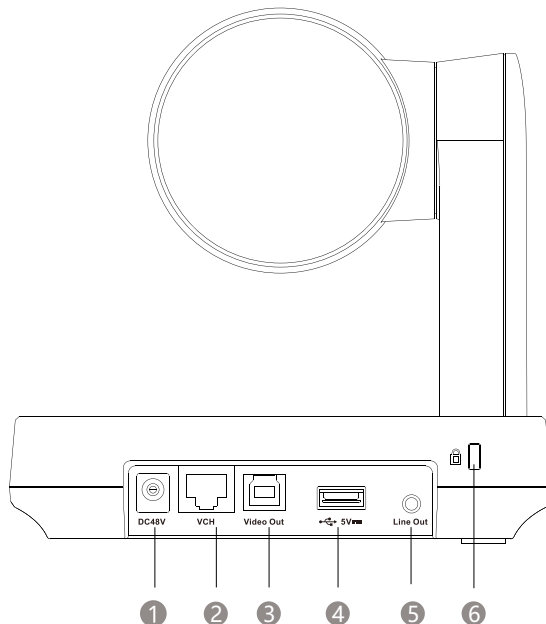


• Montar en un soporte de TV (TV Mount2)

Necesita comprar un soporte de TV (TV Mount2) por separado.



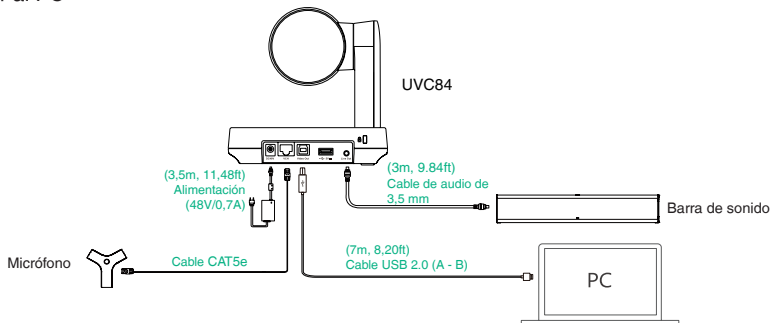
Instrucciones de Componentes de Hardware



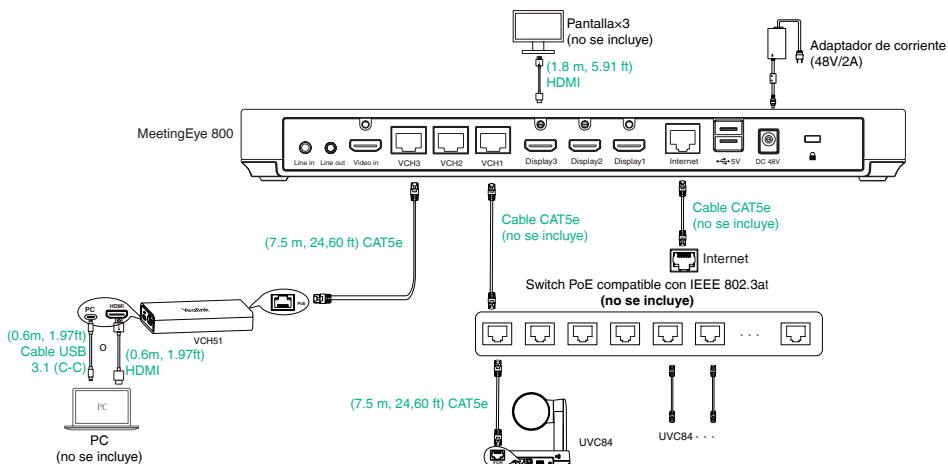
- 1 DC48V: conéctelo al adaptador de corriente.
- 2 En el sistema MVC, conectar al dispositivo de audio (por ejemplo: VCM34).
En el sistema de videoconferencia, conectar al endpoint (por ejemplo: MeetingEye 800).
- 3 Salida de video: conéctese a un PC como salida de vídeo.
- 4 Puerto USB: Inserte el DD10 para conectarse al CPW90.
- 5 Line Out: conecte a un dispositivo de audio mediante un cable de audio (3,5 mm).
- 6 Ranura de seguridad: conecte un cable de seguridad universal al UVC86 para que pueda bloquear el UVC84.

Conexión UVC84

- Conectar al PC



- Conectar al sistema de videoconferencia



- Accesorios necesarios no incluidos:
 - » Cable Ethernet: cable Ethernet CAT5e o superior.
 - » Switch PoE: si utiliza adaptadores PoE para conectar altavoces o cámaras, debe utilizar PoE+.
 - » Pantalla: resolución de 1080 p o superior y con un puerto HDMI.
 - » PC: equipado con un puerto HDMI o USB-C (compatible con el protocolo DP).

Estado del indicador LED

Indicadores LED en el UVC84:

Estado de LED	Descripción
Apagado	El UVC84 está apagado
Verde fijo	UVC84 está activo.
Rojo fijo	El UVC84 está en modo suspensión
Amarillo intermitente	El UVC84 está actualizando el firmware.
Rojo intermitente	El UVC84 está en modo suspensión

Declaration of Conformity

We,

YEALINK(XIAMEN) NETWORK TECHNOLOGY CO.,LTD

Address: 309, 3rd Floor, No.16, Yun Ding North Road,

Huli District, Xiamen City, Fujian, P.R. China

Manufacturer: YEALINK(XIAMEN) NETWORK TECHNOLOGY CO.,LTD

Address: 309, 3rd Floor, No.16, Yun Ding North Road,

Huli District, Xiamen City, Fujian, P.R. China

DATE: 08th /April/2021

declare that the product

Type: Video Conferencing Camera

Model:UVC84

meets the essential requirements and other relevant provisions according to the following EC directive

Directive: 2014/30/EU, 2014/35/EU,RED 2014/53/EU

Conformity

The product complies with the following standards:

Safety : IEC 62368-1:2018, EN IEC 62368-1:2020+ A11:2020

EMC: EN 55032:2015+A11:2020, EN 55035:2017

EN IEC 61000-3-2:2019, EN 61000-3-3:2013+A1:2019

Radio:ETSI EN 301 489-1 V2.2.3,

ETSI EN 301 489-17 V3.2.4,

ETSI EN 300 328 V2.2.2;

ETSI EN 301 893 V2.1.1

EN 300 440 V2.2.1

Health : EN 50663:2017, EN 62479:2010,EN 50665:2017, EN 62311:2008

Directive 2011/65/EU and (EU)2015/863 of the European Parliament and of the Council of 8 June 2011 and 4 June 2015 on the restriction of the use of certain hazardous substances in electrical and electronic equipment(RoHS 2.0)

Directive 2012/19/EU of the European Parliament and of the Council of 4.July.2012 on Waste electrical and electronic equipment(WEEE)

Regulation (EC) No.1907/2006 of the European Parliament and of the Council of 18.December.2006 on Registration, Evaluation, Authorization, and Restriction of Chemicals (REACH)

NAME: Huahu Wang

DATE:

TITLE: Manager



Huahu Wang
Jul-18-2022.

Regulatory Notices

Operating Ambient Temperatures

- Operating temperature: +32 to 104°F (0 to 40°C)
- Relative humidity: 5% to 90%, noncondensing
- Storage temperature: -22 to +160°F (-30 to +70°C)

Warranty

Our product warranty is limited only to the unit itself, when used normally in accordance with the operating instructions and the system environment. We are not liable for damage or loss resulting from the use of this product, or for any claim from a third party. We are not liable for problems with Yealink device arising from the use of this product; we are not liable for financial damages, lost profits, claims from third parties, etc., arising from the use of this product.

Explanation of the symbols

- DC symbol
--- is the DC voltage symbol.
- WEEE Warning symbol



To avoid the potential effects on the environment and human health as a result of the presence of hazardous substances in electrical and electronic equipment, end users of electrical and electronic equipment should understand the meaning of the crossed-out wheeled bin symbol. Do not dispose of WEEE as unsorted municipal waste and have to collect such WEEE separately.

Restriction of Hazardous Substances Directive (RoHS)

This device complies with the requirements of the EU RoHS Directive. Statements of compliance can be obtained by contacting support@yealink.com.

Safety Instructions

Save these instructions. Read these safety instructions before use!



General Requirements

- Before you install and use the device, read the safety instructions carefully and observe the situation during operation.
- During the process of storage, transportation, and operation, please always keep the device dry and clean, avoid collision and crash.
- Please attempt not to dismantle the device by yourself. In case of any discrepancy, please contact the appointed maintenance center for repair.
- Please refer to the relevant laws and statutes while using the device. Legal rights of others should be respected as well.



Environmental Requirements

- Place the device at a well-ventilated place. Do not expose the device under direct sunlight.
- Keep the device dry and free of dusts.
- Do not place the device on or near any inflammable or fire-vulnerable object, such as rubber-made materials.
- Keep the device away from any heat source or bare fire, such as a candle or an electric heater.



Operating Requirements

- Do not let a child operate the device without guidance.
- Do not let a child play with the device or any accessory in case of accidental swallowing.
- Please use the accessories provided or authorized by the manufacturer only.
- The power supply of the device shall meet the requirements of the input voltage of the device. Please use the provided surge protection power socket only.
- Before plugging or unplugging any cable, make sure that your hands are completely dry.
- Do not spill liquid of any kind on the product or use the equipment near water, for example, near a bathtub, washbowl, kitchen sink, wet basement or near a swimming pool.
- During a thunderstorm, stop using the device and disconnect it from the power supply. Unplug the power plug at the Asymmetric Digital Subscriber Line (ADSL) twisted pair (the radio frequency cable) to avoid lightning strike.
- If the device is left unused for a rather long time, disconnect it from the power supply and unplug the power plug.

- When there is smoke emitted from the device, or some abnormal noise or smell, disconnect the device from the power supply, and unplug the power plug immediately.
- Contact the specified maintenance center for repair.
- Do not insert any object into equipment slots that is not part of the product or auxiliary product.
- Before connecting a cable, connect the grounding cable of the device first. Do not disconnect the grounding cable until you disconnect all other cables.

Cleaning Requirements

- Before cleaning the device, disconnect it from the power supply.
- Use a piece of soft, dry and anti-static cloth to clean the device.
- Keep the power plug clean and dry.

Troubleshooting

The unit cannot supply power to Yealink device.

There is a bad connection with the plug.

1. Clean the plug with a dry cloth.
2. Connect it to another wall outlet.

The usage environment is out of operating temperature range.

1. Use in the operating temperature range.

The cable between the unit and the Yealink device is connected incorrectly.

1. Connect the cable correctly.

You cannot connect the cable properly.

1. You may have connected a wrong Yealink device.

2. Use the correct power supply.

Some dust, etc., may be in the port.

1. Clean the port.

Contact your dealer or authorized service facility for any further questions.

FCC Statement

This device complies with part 15 of the FCC Rules. Operation is subject to the following two conditions: (1) this device may not cause harmful interference, and (2) this device must accept any interference received, including interference that may cause undesired operation.

Any Changes or modifications not expressly approved by the party responsible for compliance could void the user's authority to operate the equipment.

IC Statement

This device complies with Industry Canada's licence-exempt RSSs. Operation is subject to the following two conditions:

- (1) this device may not cause interference; and

- (2) this device must accept any interference, including interference that may cause undesired operation of the device. CAN ICES-3(B)

Le présent appareil est conforme aux CNR d'Industrie Canada applicables aux appareils radio exempts de licence. L'exploitation est autorisée aux deux conditions suivantes :

- (1) l'appareil ne doit pas produire de brouillage;

- (2) l'utilisateur de l'appareil doit accepter tout brouillage radioélectrique subi, même si le brouillage est susceptible d'en compromettre le fonctionnement. NMB-3(B)

2. This device meets CS03 Part V.

"This device meets the applicable Innovation, Science and Economic Development Canada technical specifications. / Ce produit répond à la innovation, des sciences et de Développement économique Canada spécifications techniques applicables."

Contact Information

YEALINK NETWORK TECHNOLOGY CO.,LTD.

No.666 Hu'an Rd,Huli District Xiamen City, Fujian, P.R. C

YEALINK (EUROPE) NETWORK TECHNOLOGY B.V.

Sir Winston Churchill 299 k, 2288DC Rijswijk

YEALINK (USA) NETWORK TECHNOLOGY CO., LTD.

999 Peachtree Street Suite 2300, Fulton, Atlanta, GA, 30309, USA

Made in China

Sicherheitshinweise

Betriebsumgebungstemperaturen

- Betriebstemperatur: -10 bis 50 °C
- Relative Luftfeuchtigkeit: 5 % bis 90 %, nicht kondensierend
- Lagertemperatur: -30 bis +70 °C

Garantie

Unsere Produktgarantie ist auf das Gerät selbst beschränkt, wenn es normal und gemäß den Betriebsanweisungen und der Systemumgebung verwendet wird. Wir sind weder für Schäden oder Verluste haftbar, die aus der Verwendung dieses Produkts entstehen, noch für Ansprüche eines Dritten. Wir sind nicht haftbar für Probleme mit dem Yealink Gerät, die aus der Verwendung dieses Produkts entstehen. Wir sind nicht haftbar für finanzielle Schäden, Gewinnverluste, Ansprüche Dritter etc., die aufgrund der Verwendung dieses Produkts entstehen.

Symbol DC

--- ist das Symbol für DC-Spannung.

Richtlinie zur Beschränkung der Verwendung bestimmter gefährlicher Stoffe in Elektro- und Elektronikgeräten (RoHS)

Das Gerät erfüllt die Anforderungen der RoHS-Richtlinie der EU. Für Bestätigungen der Einhaltung können Sie sich an support@yealink.com wenden.

Sicherheitshinweise

Bewahren Sie diese Anweisungen auf. Lesen Sie diese Sicherheitshinweise vor der Verwendung!

Die folgenden grundlegenden Vorsichtsmaßnahmen müssen zur Vermeidung von Bränden, Stromschlag und anderen Verletzungen immer befolgt werden.

Allgemeine Vorschriften

- Lesen Sie vor der Installation und Verwendung des Geräts die Sicherheitshinweise sorgfältig durch und beobachten Sie die Situation im Betrieb.
- Halten Sie das Gerät während der Lagerung, dem Transport und dem Betrieb stets sauber und trocken.
- Vermeiden Sie während der Lagerung, dem Transport und dem Betrieb stets Zusammenprallen und Stürze des Geräts.
- Versuchen Sie nicht das Gerät eigenständig zu demontieren. Wenden Sie sich im Falle von Mängeln an das zuständige Wartungszentrum für eine Reparatur.
- Ohne vorherige schriftliche Zustimmung dürfen weder Unternehmen noch Einzelpersonen Änderungen an der Struktur oder dem Sicherheitskonzept des Geräts vornehmen. Yealink übernimmt unter keinen Umständen die Haftung für Folgen oder Rechtsansprüche, die auf solche Änderungen zurückzuführen sind.
- Beachten Sie bitte die entsprechenden Gesetze und Vorschriften bei der Verwendung des Geräts. Die gesetzlichen Rechte Dritter müssen ebenfalls beachtet werden.

Umweltvorschriften

- Stellen Sie das Gerät an einem gut belüfteten Ort auf. Setzen Sie das Gerät nicht direkter Sonneneinstrahlung aus.
- Halten Sie das Gerät trocken und frei von Staub.
- Stellen Sie das Gerät auf einen stabilen, ebenen Untergrund.
- Bitte legen Sie keine schweren Gegenstände auf das Gerät, da Beschädigung und Verformungen durch zu hohe Last möglich sind.
- Halten Sie mindestens 10 cm Abstand zwischen dem Gerät und dem nächsten Objekt ein, um die Wärmeabfuhr zu gewährleisten.
- Stellen Sie das Gerät nicht auf oder in der Nähe von entflammaren oder brandgefährlichen Objekten wie Gummimaterialien auf.
- Halten Sie das Gerät fern von Hitzequellen und offenem Feuer, wie Kerzen oder einer elektrischen Heizung.
- Halten Sie das Gerät fern von jedem Haushaltsgerät mit starkem Magnetfeld oder Elektromagnetfeld, z.B. einem Mikrowellenherd oder einem Kühlschrank.

Betriebsvorschriften

- Lassen Sie das Gerät nicht ohne Aufsicht durch ein Kind verwenden.
- Lassen Sie kein Kind mit dem Gerät oder einem Zubehörfeld spielen, da Kleinteile verschluckt werden können.
- Bitte verwenden Sie ausschließlich Zubehör, das vom Hersteller bereitgestellt oder genehmigt wurde.
- Die Stromversorgung des Geräts muss den Anforderungen der Eingangsspannung des Gerätes entsprechen. Bitte verwenden Sie ausschließlich den bereitgestellten Überspannungsschutz an der Steckdose.
- Achten Sie vor dem Anschließen oder Abziehen des Kabels darauf, dass Ihre Hände vollständig trocken sind.

- Verschütten Sie keine Flüssigkeiten auf das Gerät und verwenden Sie es nicht in der Nähe von Wasser, beispielsweise in der Nähe einer Badewanne, Waschküchle, einem Spülbecken, in einem feuchten Keller oder in der Nähe eines Schwimmbeckens.
- Treten Sie nicht auf das Kabel, ziehen und verbiegen Sie es nicht, da es dadurch zu einer Fehlfunktion des Geräts kommen kann.
- Schalten Sie das Gerät bei Gewitter aus und trennen Sie es von der Stromversorgung. Ziehen Sie das Netzkabel und das ADSL-Twisted-Pair-Kabel (Festnetz-Kabel) zur Vermeidung eines Blitzschlags.
- Wenn das Gerät längere Zeit ungenutzt bleibt, trennen Sie es von der Stromversorgung und ziehen Sie den Netzstecker.
- Wenn Rauch oder ungewöhnliche Geräusche oder Gerüche aus dem Gerät austreten, trennen Sie das Gerät sofort von der Stromversorgung und ziehen Sie das Netzkabel. Wenden Sie sich an das angegebene Wartungszentrum für eine Reparatur.
- Führen Sie keine Gegenstände in Einschübe oder Anschlussöffnungen des Geräts ein, die kein Bestandteil des Produktes oder ein Zubehörteil sind.
- Schließen Sie zuerst das Erdungskabel des Geräts an, bevor Sie ein Kabel anschließen. Trennen Sie das Erdungskabel nicht, bis nicht alle anderen Kabel entfernt wurden.

Reinigungsvorschriften

- Bevor Sie das Gerät reinigen, schalten Sie es aus und trennen Sie es von der Stromversorgung.
- Verwenden Sie ein Stück trockenes, weiches und antistatisches Tuch zum Reinigen des Geräts.
- Halten Sie das Netzkabel sauber und trocken. Über einen schmutzigen und nassen Netzstecker kann es zu einem elektrischen Schlag oder anderen Gefahren kommen.

UMWELTFREUNDLICHE VERWERTUNG



Entsorgen Sie das Gerät nicht mit dem Hausmüll.

Erkundigen Sie sich bei Ihrer Stadtverwaltung, wie Sie das Gerät umweltfreundlich entsorgen können. Pappkarton, Kunststoffverpackung und Bauteile des Gerätes können im Einklang mit den geltenden Vorschriften in Ihrem Land verwertet werden.

Halten Sie stets die geltenden Vorschriften ein.

Deren Nichtbeachtung kann eine Buße oder Verfolgung gemäß dem geltenden Recht nach sich ziehen. Die durchgestrichene Mülltonne auf dem Gerät bedeutet, dass das Gerät am Ende seiner Nutzungsdauer zu einer speziellen Elektroschrottsammelstelle gebracht und vom Hausmüll gesondert verarbeitet werden muss.

Fehlerbehebung

Die Einheit kann das Yealink Gerät nicht mit Strom versorgen.

Es gibt Probleme mit dem Steckeranschluss.

1. Reinigen Sie den Stecker mit einem trockenen Tuch.
2. Schließen Sie ihn an einer anderen Steckdose an.

Die Umgebungstemperatur liegt oberhalb des Betriebstemperaturbereichs.
Das Kabel zwischen der Einheit und dem Yealink Gerät ist nicht richtig angeschlossen.

1. Schließen Sie das Kabel richtig an.
Das Kabel lässt sich nicht richtig anschließen.
1. Sie haben möglicherweise ein falsches Yealink Gerät angeschlossen.

2. Verwenden Sie die richtige Stromversorgung.
Es befindet sich möglicherweise Staub etc. im Port.

1. Reinigen Sie den Port.

Setzen Sie sich bei weiteren Fragen mit Ihrem Händler oder Ihrer anerkannten Servicestelle in Verbindung.

Kontaktinformationen der Ansprechpartner

YEALINK NETWORK TECHNOLOGY CO., LTD.
No.666 Hu'an Rd.Hui District Xiamen City, Fujian, P.R.C
YEALINK (EUROPE) NETWORK TECHNOLOGY B.V.
St Winston Churchilllln 299 k, 2288DC Rijswijk
YEALINK (USA) NETWORK TECHNOLOGY CO., LTD.
999 Peachtree Street Suite 2300, Fulton, Atlanta, GA, 30309, USA
Hergestellt in China

Consignes de sécurité

Températures de fonctionnement ambiantes

- Température de fonctionnement : +14 à 122 °F (-10 à 50 °C)
- Humidité relative : 5 % à 90 %, sans condensation
- Température de stockage : -22 à +160 °F (-30 à +70 °C)

Garantie

Notre garantie produit est limitée à l'appareil lui-même, lorsqu'il est utilisé normalement selon le mode d'emploi et l'environnement du système. Nous ne sommes pas responsables des dommages ou pertes découlant de l'utilisation de ce produit ou de toute réclamation d'un tiers. Nous ne sommes pas responsables des problèmes avec les appareils Yealink découlant de l'utilisation de ce produit. Nous ne sommes pas responsables pour les dommages financiers, pertes de profits, réclamations de tiers, etc. découlant de l'utilisation de ce produit.

Symbole DC

— — — est le symbole de tension CC.

Directive sur les substances dangereuses (RoHS)

Ce dispositif est conforme aux exigences de la directive RoHS de l'Union européenne. Vous pouvez obtenir les déclarations de conformité en envoyant un message à l'adresse : support@yealink.com.

Consignes de sécurité

Gardez ces instructions. Lisez ces consignes de sécurité avant utilisation de l'appareil !

Les précautions de base suivantes doivent toujours être suivies pour réduire le risque d'incendie, d'électrocution et de blessures.

Exigences générales

- Avant d'installer et d'utiliser l'appareil, lisez les consignes de sécurité et observez la situation pendant le fonctionnement.
- Lorsque l'appareil est rangé, transporté ou utilisé, veuillez le garder toujours propre et sec.
- Lorsque l'appareil est rangé, transporté ou utilisé, veuillez éviter tout choc ou toute collision.
- Ne tentez pas de désassembler vous-même l'appareil. En cas de mauvais fonctionnement, veuillez contacter le centre de service désigné.
- Sans consentement écrit préalable, aucune organisation ou individu n'est autorisé à apporter des changements à la structure ou au dispositif de sécurité de l'appareil. Yealink n'est en aucun cas responsable des conséquences ou des problèmes juridiques causés par ces changements.
- Veuillez vous référer aux lois et règlements pertinents lorsque l'appareil est utilisé. Les droits légaux des tiers doivent également être respectés.

Exigences environnementales

- Placez l'appareil dans un espace correctement ventilé. N'exposez pas l'appareil à la lumière directe du soleil.
- Gardez l'appareil propre et sec.
- Placez l'appareil sur une surface stable et plate.
- Veuillez ne placer aucun objet lourd sur l'appareil risquant d'entraîner dégâts et déformations.
- Maintenez une distance d'au moins 10 cm entre l'appareil et l'objet le plus proche afin que la chaleur puisse se dissiper.
- Ne placez pas l'appareil sur ou à proximité de tout objet inflammable ou vulnérable au feu, comme des matériaux en caoutchouc.
- Gardez l'appareil loin de toute source de chaleur ou des flammes, comme une bougie ou un radiateur électrique.
- Gardez l'appareil loin de tout appareil électroménager avec un fort champ magnétique ou un champ électromagnétique, tel qu'un four à micro-ondes ou un réfrigérateur.

Exigences d'utilisation

- Ne laissez pas des enfants utiliser l'appareil sans surveillance.
- Ne laissez pas les enfants jouer avec l'appareil ou ses accessoires pour éviter tout risque d'étouffement.
- Veuillez uniquement utiliser les accessoires fournis ou autorisés par le fabricant.
- L'alimentation de l'appareil doit satisfaire aux exigences de la tension d'entrée de l'appareil. Veuillez uniquement utiliser la prise protégée contre les surtensions fournie.

- Avant de brancher ou de débrancher tout câble, assurez-vous que vos mains sont complètement sèches.
- Ne renversez aucun liquide sur le produit et n'utilisez pas l'équipement près de l'eau, par exemple, près d'une baignoire, d'un lavabo, d'un évier, dans sous-sol humide ou près d'une piscine.
- Veuillez à ne pas marcher sur, tirer sur, ou plier les câbles de l'appareil, cela pourrait entraîner son mauvais fonctionnement.
- En cas d'orage, n'utilisez pas l'appareil et débranchez-le de son alimentation. Débranchez la prise d'alimentation et l'Asymmetric Digital Subscriber Line (ADSL) à paire torsadée (le câble de fréquence radio) pour éviter la foudre.
- Si l'appareil reste inutilisé pendant une longue période de temps, débranchez-le de l'alimentation électrique et débranchez le cordon d'alimentation.
- Si l'appareil émet de la fumée, des odeurs ou bruits anormaux, débranchez l'appareil de son alimentation et débranchez immédiatement le cordon d'alimentation. Pour toute réparation, contactez le centre de service spécifié.
- N'insérez aucun objet dans les fentes de l'appareil ne faisant pas partie du produit ou n'est pas un produit auxiliaire.
- Avant de brancher un câble, connectez d'abord le câble de mise à la terre du de l'appareil. Ne débranchez pas le câble de mise à la terre jusqu'à ce que tous les autres câbles aient été débranchés.

Exigences de nettoyage

- Avant de nettoyer l'appareil, arrêtez de l'utiliser et déconnectez-le de son alimentation.
- Utilisez un chiffon doux, sec et antistatique pour nettoyer l'appareil.
- Maintenez la prise d'alimentation propre et sèche. Une prise sale ou humide peut causer des chocs électriques et autres dangers.

RECYCLAGE ENVIRONNEMENTAL



Ne jetez pas cet appareil avec les déchets ménagers

Contactez vos collectivités locales pour savoir comment éliminer de façon écologique. La boîte en carton, l'emballage en plastique et les composants de l'appareil peuvent être recyclés conformément à la réglementation en vigueur dans votre pays.

Respectez toujours la réglementation en vigueur

Les personnes qui l'enfreignent sont passibles de poursuites judiciaires. Le symbole de poubelle barrée apposé sur l'appareil signifie que lorsque celui-ci a atteint sa fin de vie utile, il doit être amené à un centre de traitement des déchets spécial et traité séparément des déchets ménagers ordinaires.

Dépannage

L'unité ne peut pas alimenter le dispositif de Yealink.

Mauvaise connexion avec la fiche.

1. Nettoyez la fiche avec un chiffon sec.
2. Branchez-la sur une autre prise murale.

L'environnement d'utilisation est hors de la plage de températures de fonctionnement.

1. Utilisez l'appareil dans sa plage de températures de fonctionnement. Le câble entre l'appareil et le dispositif Yealink est mal branché.

1. Branchez le câble correctement.

Vous ne pouvez pas brancher le câble correctement.

1. Vous avez peut-être branché le mauvais dispositif Yealink.

2. Utilisez une source d'alimentation appropriée.

Le port contient peut être de la poussière.

1. Nettoyez le port.

Contactez votre revendeur ou un réparateur agréé pour toute autre question.

Informations de contact

YEALINK NETWORK TECHNOLOGY CO., LTD.

No.666 Hu'an Rd,Huli District Xiamen City, Fujian, P.R. C

YEALINK (EUROPE) NETWORK TECHNOLOGY B.V.

Sir Winston Churchillin 299 k, 2288DC Rijswijk

YEALINK (USA) NETWORK TECHNOLOGY CO., LTD.

999 Peachtree Street Suite 2300, Fulton, Atlanta, GA, 30309, États-Unis

Fabriquée en Chine

Instrucciones de seguridad

Temperatura ambiente de funcionamiento

- Temperatura de funcionamiento: +14 to 122°F (-10 to 50°C)
- Humedad relativa: 5% to 90% sin condensación
- Temperatura de almacenaje: -22 to +160°F (-30 to +70°C)

Garantía

La garantía del producto está limitada solo a la unidad, cuando se usa normalmente de acuerdo con las instrucciones de operación y el entorno del sistema. No somos responsables por daños o pérdidas resultantes del uso de este producto, o por cualquier reclamo de un tercero. No nos hacemos responsables de los problemas con el dispositivo Yealink que surjan del uso de este producto; No nos hacemos responsables de los daños financieros, pérdidas de beneficios, reclamaciones de terceros, etc., que surjan del uso de este producto.

Símbolo CC

— Es el símbolo de voltaje de CC.

Directiva de Restricción de Sustancias Peligrosas (RoHS)

Este dispositivo cumple con los requisitos de la directiva RoHS de la UE. Las declaraciones de cumplimiento se pueden obtener contactando a support@yealink.com.

Instrucciones de seguridad

Conservar estas instrucciones. ¡Lea estas instrucciones de seguridad antes de usar el dispositivo!

Las siguientes instrucciones básicas de seguridad deben respetarse siempre para evitar el riesgo de incendio, descarga eléctrica y otras lesiones personales.

⚠️ Requisitos generales

- Lea detenidamente estas instrucciones de seguridad antes de instalar y usar el dispositivo y controle la situación durante el funcionamiento.
- Mantenga siempre el dispositivo seco y limpio durante el proceso de almacenaje, transporte y funcionamiento.
- Evite golpes y sacudidas en el dispositivo durante el proceso de almacenaje, transporte y funcionamiento.
- No desmonte el dispositivo por su cuenta. En caso de fallos, póngase en contacto con el centro de mantenimiento designado para su reparación.
- No se permite hacer modificaciones en la estructura ni el diseño de seguridad del dispositivo sin previo consentimiento por escrito. Yealink no será responsable bajo ninguna circunstancia de las consecuencias o problemas legales derivados de dichas modificaciones.
- Consulte las leyes y estatutos pertinentes cuando use el dispositivo. También deben respetarse los derechos legales de terceros.

⚠️ Requisitos ambientales

- Coloque el dispositivo en un lugar bien ventilado. No exponga el dispositivo a la luz del sol directa.
- Mantenga el dispositivo seco y libre de polvo.
- Coloque el dispositivo sobre una plataforma estable y nivelada.
- No coloque objetos pesados sobre el dispositivo para evitar daños o deformaciones causadas por el peso.
- Deje al menos 10 cm de distancia entre el dispositivo y los objetos más cercanos para facilitar la disipación del calor.
- No coloque el dispositivo encima o cerca de objetos inflamables o vulnerables al fuego, como materiales hechos de goma.
- Mantenga el dispositivo alejado de fuentes de calor o fuego vivo, como velas o radiadores eléctricos.
- Mantenga el dispositivo alejado de aparatos domésticos con campos magnéticos o electromagnéticos intensos, como hornos microondas o neveras.

⚠️ Requisitos de funcionamiento

- No permita que los niños utilicen el dispositivo sin supervisión.
- No permita que los niños jueguen con el dispositivo ni sus accesorios para evitar asfixia accidental.
- Utilice únicamente los accesorios suministrados o autorizados por el fabricante.
- La alimentación eléctrica debe cumplir los requisitos de voltaje de entrada del dispositivo. Utilice únicamente una toma de corriente con protección contra sobretensiones.
- Asegúrese de tener las manos completamente secas antes de enchufar o desenchufar los cables.

- No derrame líquidos de ningún tipo sobre el producto ni use el equipo cerca de agua, por ejemplo, cerca de una bañera, palangana, fregadero, sótanos húmedos o piscinas.
- No pise, estire ni retuerza los cables para evitar fallos del dispositivo.
- En caso de tormenta, deje de usar el aparato y desenchúfelo de la alimentación eléctrica. Desenchufe la clavija eléctrica y el cable de par trenzado (el cable de radiofrecuencia) de la línea de abonado digital simétrico (ADSL, por sus siglas en inglés) para evitar rayos.
- Si deja el dispositivo sin utilizar durante mucho tiempo, desconéctelo de la alimentación eléctrica y desenchufe la clavija eléctrica.
- Si sale humo del dispositivo o ruidos u olores anormales, desconecte el dispositivo de la alimentación eléctrica y desenchufe la clavija eléctrica inmediatamente. Póngase en contacto con el centro de mantenimiento designado para su reparación.

- No introduzca ningún objeto que no forme parte del producto o de los accesorios en las ranuras del equipo.
- Antes de conectar un cable, conecte el cable de toma de tierra del dispositivo. No desconecte el cable de toma de tierra hasta que haya desconectado los demás cables.

⚠️ Requisitos de limpieza

- Antes de limpiar el dispositivo, deje de utilizarlo y desconéctelo de la alimentación eléctrica.
- Utilice un trapo suave, seco y antistático para limpiar el dispositivo.
- Mantenga el enchufe eléctrico limpio y seco. Si usa un enchufe eléctrico sucio o húmedo podría provocar una descarga eléctrica y otros peligros.

♻️ RECICLAJE AMBIENTAL

Nunca deseché el equipo con los residuos domésticos

En caso de incurrir, podría ser multado o procesado en cumplimiento del medio ambiente. Se debe reciclar la caja de cartón, el embalaje de plástico y los componentes en conformidad con la normativa de reciclaje vigente en su país.

Respete siempre la normativa vigente

En caso de incumplirla, podría ser multado o procesado en cumplimiento de la ley. El cubo de basura tachado que aparece en el producto indica que debe llevarse a un centro de eliminación de residuos especiales y debe tratarse por separado de los residuos urbanos al final de su vida útil.



Problemas y soluciones

La fuente de alimentación no alimenta al dispositivo de Yealink.

Hay una mala conexión con el enchufe.

1. Limpie el enchufe con un trapo seco.
 2. Conecte a una toma de pared diferente.
- La temperatura del entorno está fuera del rango de temperatura de funcionamiento.
1. Asegúrese de que la temperatura del entorno está dentro de los límites permitidos.

El cable entre la unidad y el dispositivo de Yealink no está conectado correctamente.

1. Conecte el cable correctamente.
- El cable no se puede conectar correctamente.
1. Es posible que haya conectado un dispositivo incorrecto.
 2. Utilice la fuente de alimentación correcta.

El puerto está sucio.

1. Limpie el puerto
- Póngase en contacto con su distribuidor o centro de atención autorizado para cualquier consulta.

Información de Contacto

YEALINK NETWORK TECHNOLOGY CO., LTD.
No.666 Hu'an Rd,Huli District Xiamen City, Fujian, P.R. C
YEALINK (EUROPE) NETWORK TECHNOLOGY B.V.
Sir Winston Churchillin 299 k, 2288DC Rijswijk.
YEALINK (USA) NETWORK TECHNOLOGY CO., LTD.
999 Peachtree Street Suite 2300, Fulton, Atlanta, GA, 30309, USA
Made in China

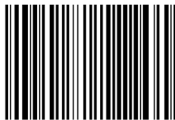
About Yealink

Yealink (Stock Code: 300628) is a global-leading provider of Unified Communication & Collaboration Solutions specialized in video conferencing, voice communications, and collaboration, dedicated to helping every person and organization embrace the power of "Easy Collaboration, High Productivity".

With best-in-class quality, innovative technology, and user-friendly experiences, Yealink is one of the best providers in more than 140 countries and regions, ranks No.1 in the global market share of IP Phone, and is the Top 5 leader in the video conferencing market (Frost & Sullivan, 2021). For more information about Yealink, click <https://www.yealink.com/en>

Technical Support

Visit Yealink WIKI (<http://support.yealink.com/>) for firmware downloads, product documents, FAQ, and more. For better service, we sincerely recommend you to use Yealink Ticketing system (<https://ticket.yealink.com>) to submit all your technical issues.



430104002323



YEALINK(XIAMEN) NETWORK TECHNOLOGY CO., LTD.
Web: www.yealink.com
Addr: No.666 Hu'an Rd,Huli District Xiamen City, Fujian, P.R. C
Copyright©2023 Yealink Inc. All rights reserved.